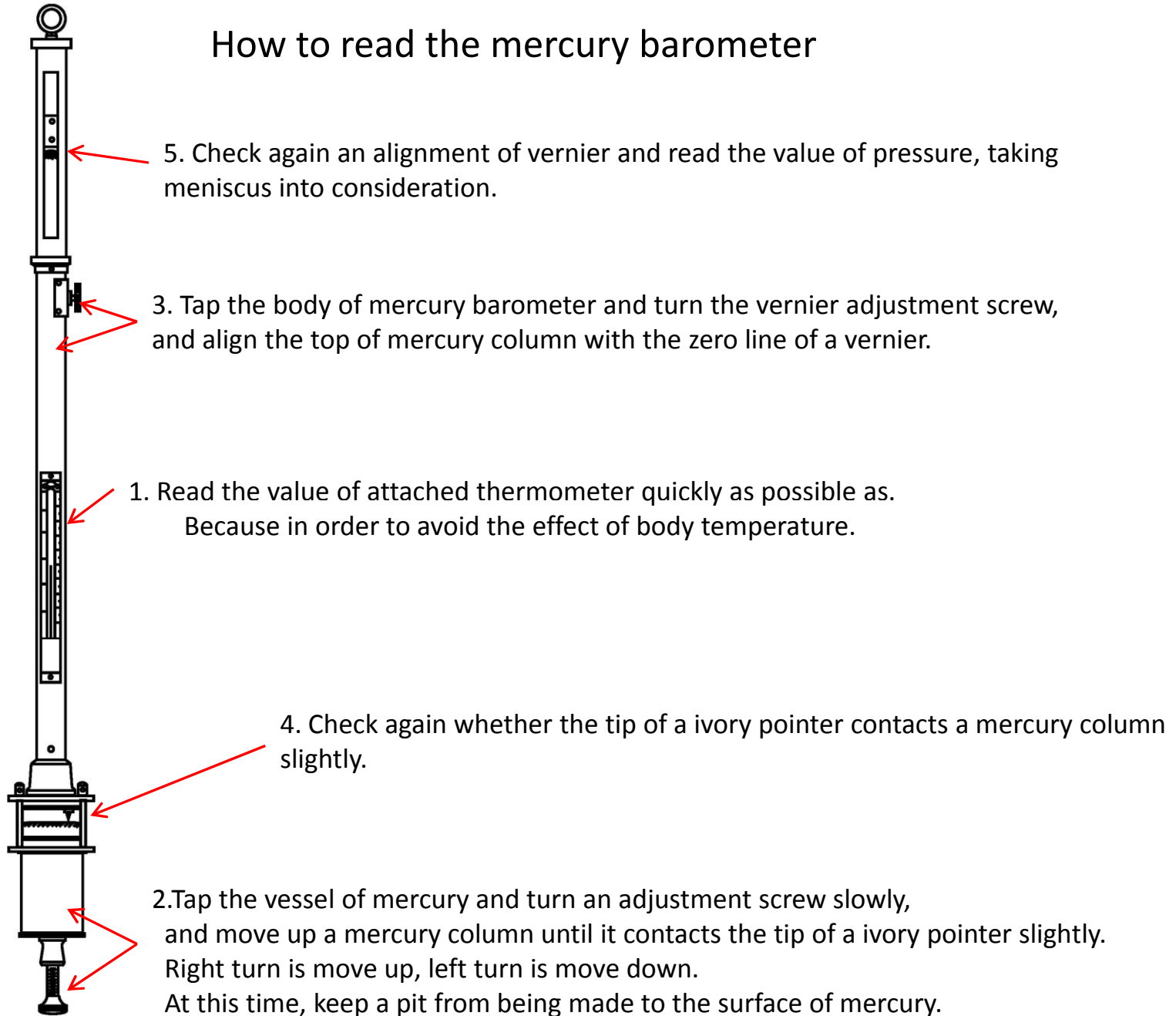
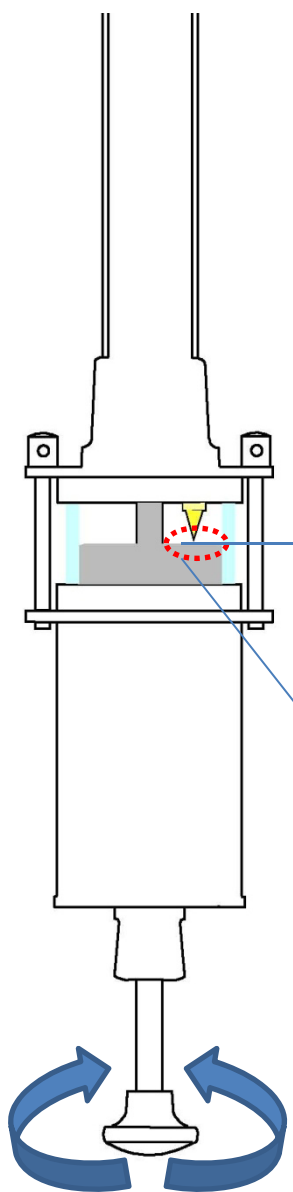


Notes

- 1) The installation board for a mercury barometer is strong, and vibration should not be transmitted easily.
- 2) A change of room temperature is slow and uniform.
- 3) A sliding door is good in order to avoid the pressure change by opening and closing of a door.
- 4) The standard of electric barometer is set near the mercury barometer.
- 5) Align the tip of a ivory pointer with the height of the internal sensor of the electric barometer.
- 6) As for reading of mercury barometer, it is desirable for the expert person to carry out.
- 7) The reading value of mercury barometer requires the corrections for temperature and for gravity.

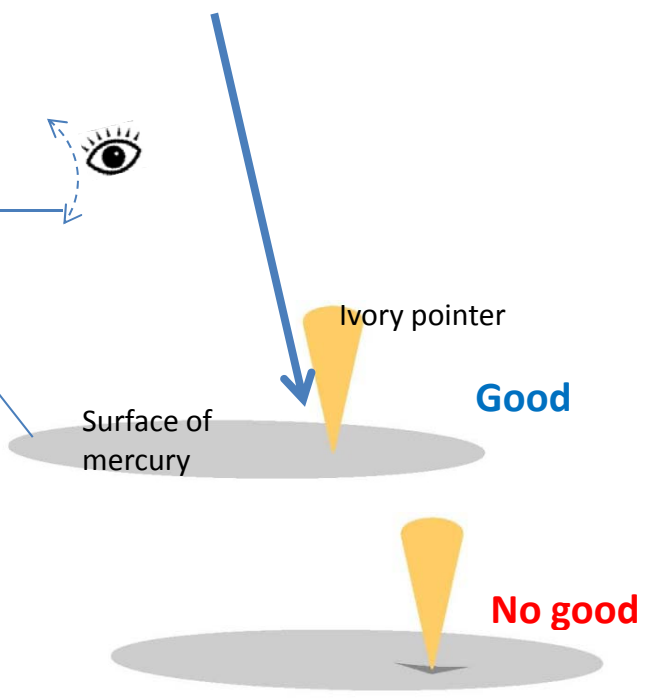
How to read the mercury barometer



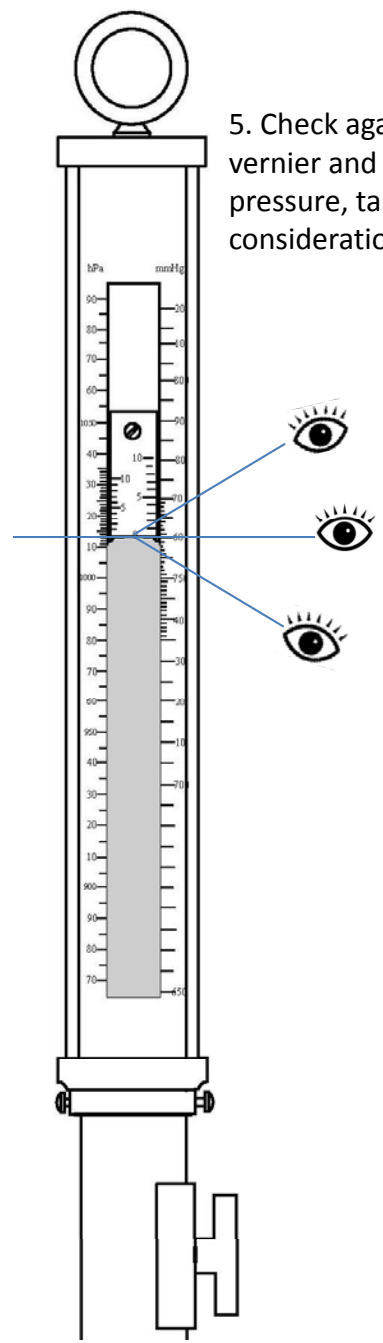


2. Tap the vessel of mercury and turn an adjustment screw slowly, and move up a mercury column until it contacts the tip of a ivory pointer slightly.

At this time, keep a pit from being made to the surface of mercury.

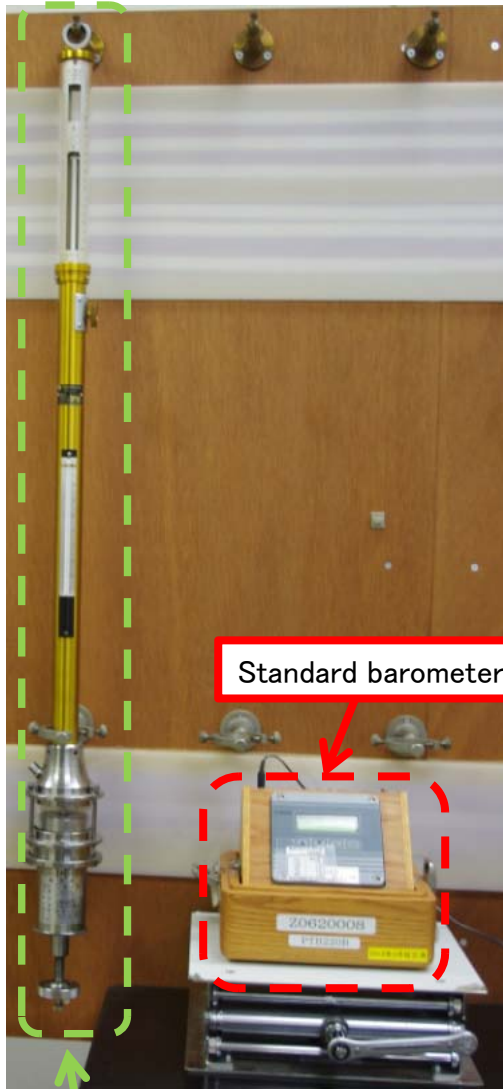


Right turn is move up,
left turn is move down.



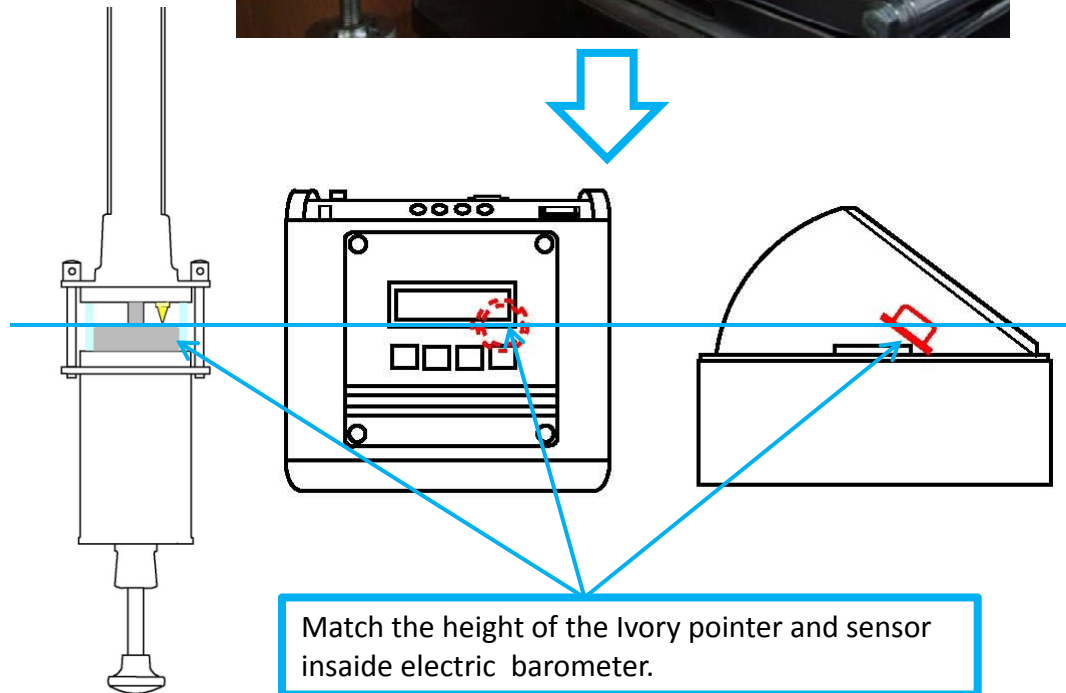
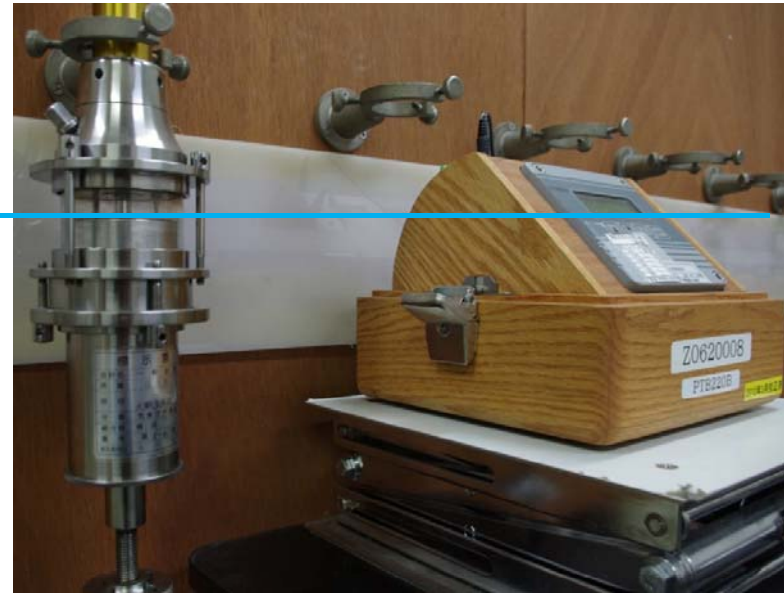
5. Check again an alignment of vernier and read the value of pressure, taking meniscus into consideration.

Notes on mercury barometer calibration



Standard barometer

Barometer to be calibrated



Match the height of the Ivory pointer and sensor inside electric barometer.